

MORE
SPEED ■ HORSEPOWER ■ TORQUE

R26FLT Tire Changer

SKU# 5140137



HEAVY-DUTY

1-800-253-2363 ■ www.BendPak.com

R Ranger

Handles truck, bus and commercial van tires with ease

The Ranger R26FLT is an incredibly fast and efficient large tire changer. Swap out tubeless truck, agricultural and off-road tires from 14" to 26" in just minutes. A portable remote control brings convenient precision to your finger tips and saves you precious time. We've thoroughly explored all aspects of truck wheel service to develop the quickest large tire changer possible, so high-volume tire shops can get the speed, capability and dependability that they demand.

Experience your shortest floor-to-floor service times ever, making your job easier and more profitable. All of our tire machines are built with forged, hardened and ground components designed to resist scoring, grooving and wear. Our engineers understand that speed, convenience and safety are your top priorities, so we've made them ours, as well. Ranger tire changers are built to allow operators to learn and use them quickly and safely, so you'll be up and running in no time.

ENHANCED FEATURES

Portable control unit

Simple controls and versatile unit console let the operator safely monitor your tire changers from the most advantageous angle.

Self-centering hydraulic clamping chuck

Clamp from either the center bore of the wheel or the inside of the wheel. Either way, this tire changer has you covered.

Super-duty electric hydraulic motor & hydraulic drive

This powerfully sophisticated, bi-directional hydraulic motor delivers smooth torque to the tire changer at all times.

Sturdy spindle, chuck & mount / de-mount head

The entire assembly gracefully rotates, raises and lowers via easy-to-learn, simple-to-use operator controls.

Quick setup

The R26FLT tire changer features an exceptionally swift-positioning, locking mount/demount arm.

Designed to perform and built to last

Ranger tire changers can take whatever punishment your shop can throw at them. They're easy to control and rugged enough to hold up for years of low-maintenance service. The welded steel body is just the start: this tire changer boasts aluminum-alloy air cylinders and completely sealed components, making it one of the hardest tools you're likely to put in your shop.

Hydraulic sled carriage

Hydraulic sled carriage for positioning, bead loosening, mounting and demounting procedures.





Powerful Bead Breaker

One piece

Tire changers with single-piece frames offer superior rigidity over time.

Safe and easy to use

It's simple: our sensible ergonomic design means easier operation for you and your technicians.

Powerful bead breaker

Quick set-up and a powerful stainless steel air cylinder provide plenty of tire-busting power. Combine that with our durable bead breaker blade, and you've got the capability to service virtually anything that rolls into your shop.



Massive Chuck Spindles

Massive chuck spindles

Huge spindle to handle the heaviest loads.

Built-in sturdiness

Sturdy spindle, chuck and mount / demount head hydraulically rotates, raises and lowers with simple operator controls.

A gentle touch

Very gentle on over-the-road tires and tubeless tires mounted on aluminum wheels.

STANDARD ACCESSORIES

- Tire lubrication
- Funnel
- Large bead tool
- Small bead tool
- Rotary valve O-rings
- Fuses
- Wheel clamp
- Lever grease gun

OPTIONAL ACCESSORY

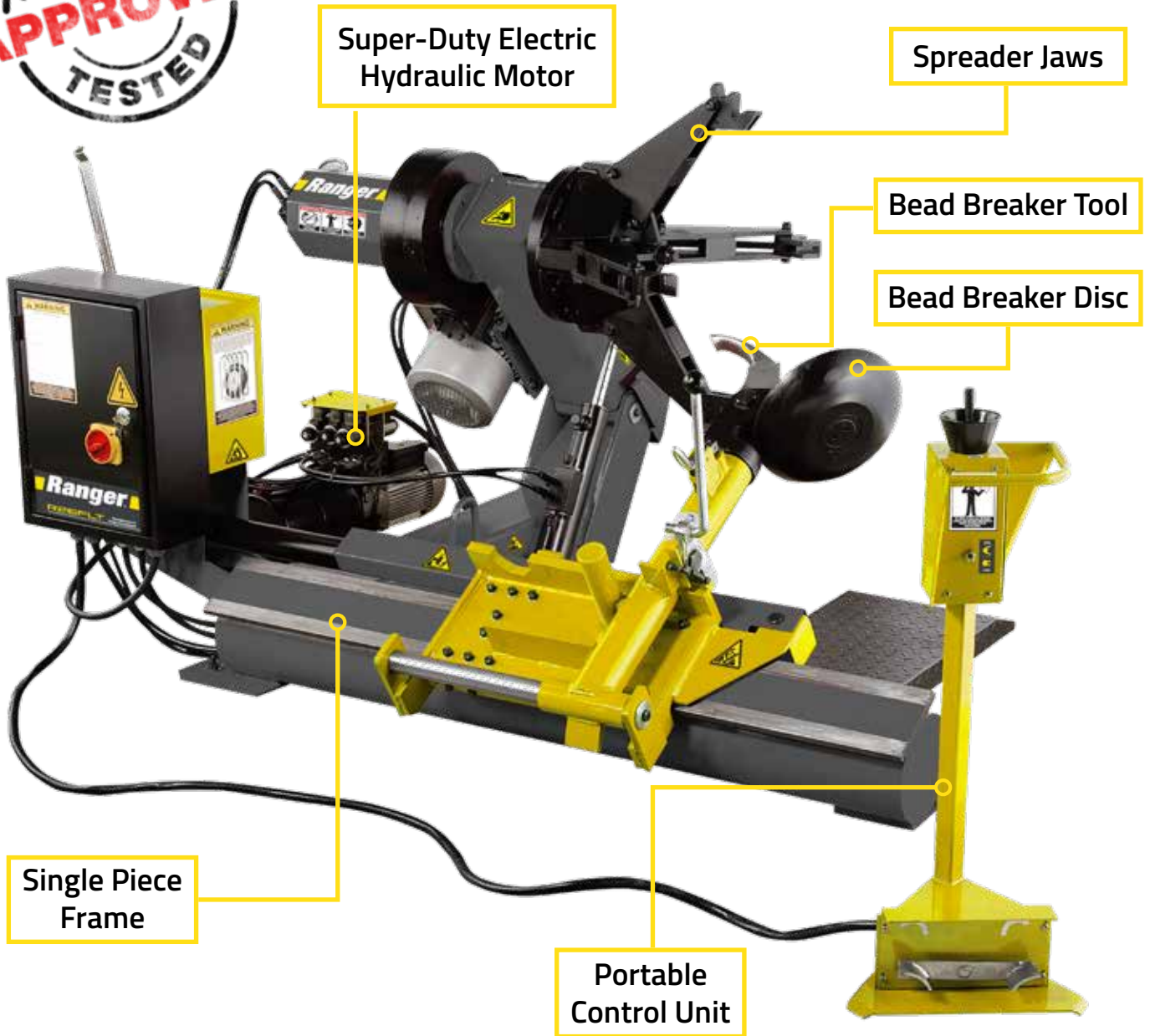
- Tire Iron / Bead Lifting Tool
SKU# 5400110



THE ULTIMATE TRUCK TIRE CHANGER

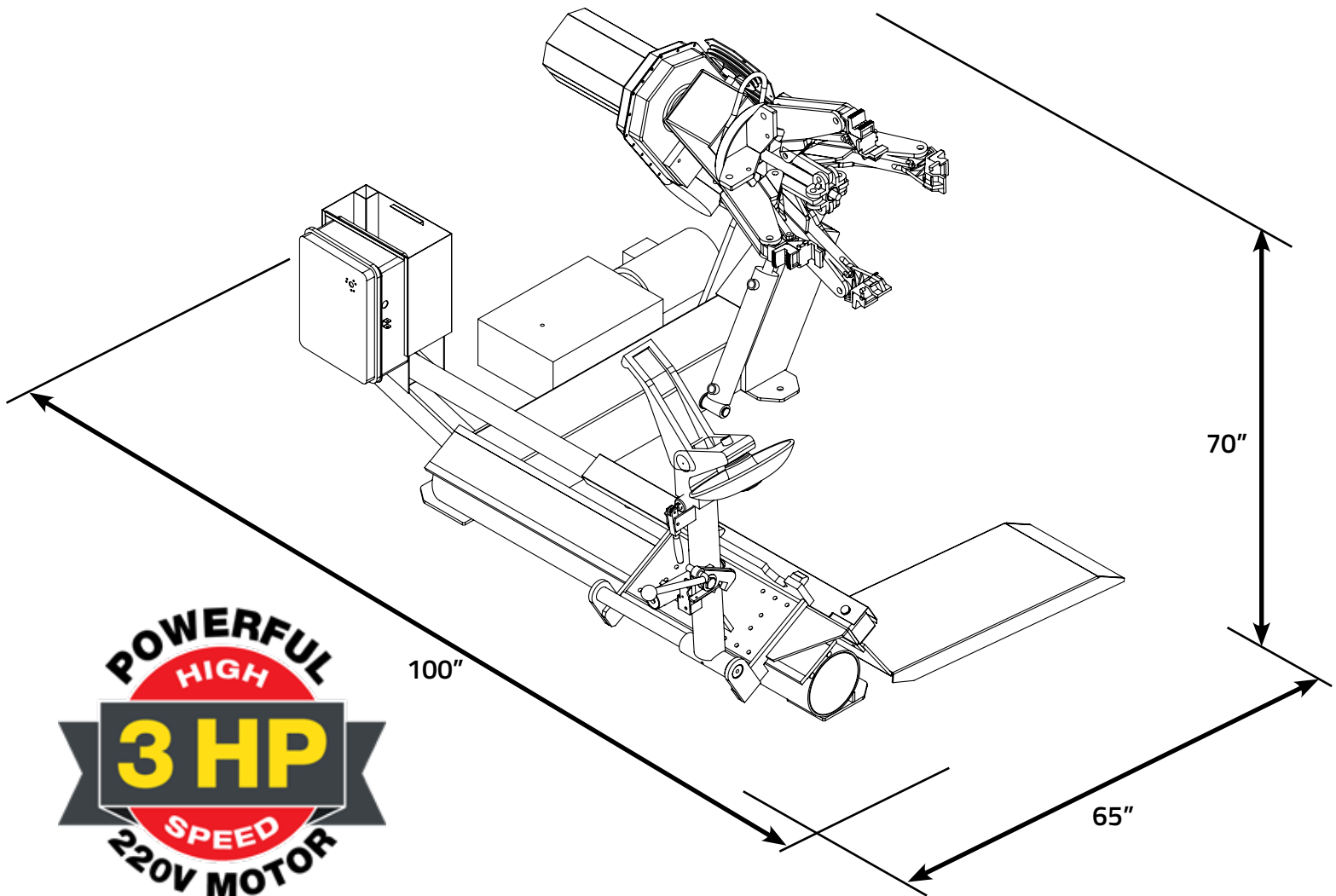


R26FLT FEATURES



SPECIFICATIONS

Model	R26FLT Heavy-Duty Truck Tire Changer
Motor	3 HP (220 VAC 50-60 HZ)
Drive System Type	Electric / Hydraulic
Max. Rim Diameter	14" - 26" (356 mm - 660 mm)
Max. Tire / Wheel Diameter	63" (1,600 mm)
Max. Tire / Wheel Width	31.5" (800 mm)
Shipping Weight	1,485 lbs. (674 kg)
Recommended Footprint	100" (2,540 mm) W x 65" (1,651 mm) D x 70" (1,778 mm) H



1-800-253-2363 ■ www.BendPak.com

© 2022 BendPak Inc. Ranger Products is a registered trademark of BendPak.

R Ranger