

Installation And Service Manual

PORTABLE MID-RISE LIFT

Model No.: MRP06

Cargo Claims

If there is any missing or damaged product during transportation, the buyer must notate on the shipping paperwork or refuse the shipment. NOTATE ALL DAMAGE OR REFUSE DAMAGED SHIPMENT!

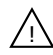
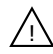

DANGER

Read the entire contents of this manual before using this product. Failure to follow instructions and safety precautions could result in serious injury or even death. Make sure all other operators also read this manual. Keep this manual near the machine so that it can be seen by all users. By proceeding with installation and operation, you agree that you are fully understand the contents of this manual and take full responsibility for the use of the product.

CONTENTS

PROFILE.....	1
IMPORTANT SAFETY INSTRUCTIONS.....	3
I. PRODUCT FEATURES AND SPECIFICATIONS.....	5
II. INSTALLATION REQUIREMENT.....	7
III. INSTALLATION STEPS.....	8
IV. EXPLODED VIEW.....	17
V. OPERATION INSTRUCTIONS.....	21
VI. MAINTENANCE SCHEDULE.....	23
VII. TROUBLE SHOOTING.....	25
VIII. CAR LIFT SAFETY TIPS	26
IX. LIFT DISPOSAL	26

Explanation of the safety warning symbols used in this manual

 DANGER	Risk of death or injury
 WARNING	Dangerous or unsafe practices that may result in death or injury
 CAUTION	Dangerous or unsafe practices that may result in personal injury, product damage or property damage
ATTENTION	Conditions that may result in damage to products or property

PROFILE

The scissor lift is a commonly used vehicle repair and maintenance tool with hydraulic system that can lift the car up to a certain height so that the vehicle can be placed in a suitable position for inspection and repair. It's safe, reliable and easy to install.

This installation and service manual is specially prepared for you. Your new lift is the product of over a decade of continuous research, testing and development and is the most technologically advanced lift on the market today.

Please make sure to read through this manual before operating the lift.

Record the information on the nameplate label here:

Model No.: _____

Serial No.: _____

Manufacturer date: _____

WARRANTY

The warranty period for the steel structure part of new car lift is 5 years, hydraulic components, bronze bushings, slider blocks and plastic parts are under warranty for 3 years, electrical components and cables warranty for 2 years. Rubber pads are without warranty. During the warranty period, the manufacturer will repair or replace the defective parts free of charge including shipping costs.

This warranty does not cover damage caused by normal wear and tear, improper use, damage in transit, or damage caused by lack of maintenance.

This warranty is unique and supersedes what is expressed and implied in all other warranties. The manufacturer shall not be liable for any particular, indirect or accidental damage resulting in breach of or delay in the execution of the warranty. The manufacturer reserves the right to design and improve the product and has no obligation to make notice of the changes in advance.

The product warranty based on the above clause is based on the model number and serial number of the equipment. This information must be provided in conjunction with all warranty information at the time of service and warranty.

SAFETY WARNING LABEL




Fig.1

IMPORTANT SAFETY INSTRUCTIONS

In order to properly maintain your product and ensure operator safety, it is the responsibility of the product owner to read and follow these instructions!

1. Ensure product installation full complies with all applicable local and national rules, ordinances and regulations;
2. Ensure that all operators are properly trained, know how to operate the unit safely, and are properly supervised;
3. Do not operate the lift until you are sure all parts are in place and operating correctly;
4. Keep your hands and feet away from the machine. Keep hands and feet away from any moving parts. Keep your feet away from the lift as it descends and avoid pressing on pointed objects;
5. Keep the work area clean. A cluttered workspace can lead to injuries;
6. The machine is only approved for indoor installation and use. Outdoor installation is prohibited;
7. Only trained operators are allowed to handle the lift machine. All untrained persons must stay away from the workplace. Never allow untrained persons to handle or operate the machine;
8. Use the lift properly. Use the lift in the correct way;
9. Warning! Keep persons and objects from the lift when lifting the a vehicle;
10. If the vehicle is at risk of falling, make sure no one is around the lift;
11. Before preparing to approach or service the vehicle, ensure that the safety device is in effect;
12. Dress appropriately when operating machines, and consider wearing non-slip steel-toe shoes for safety;
13. Beware of electric shock. In order to protect the operator from electric shock, the lift in use must be grounded. Do not connect the green wire to the terminal. This is the ground wire;
14. Danger! The power supply used in this type of lift has high voltage. Please disconnect the power supply before any circuit repair. Unplug in case the power supply is accidentally switched on during maintenance;

15. Warning! There is a risk of explosion. There are parts in the equipment that produce arc light and spark. Do not operate near flammable gas. This machine should not be placed in the lounge or basement;
16. Maintain with care. Keep the machine clean for better and safer operation. Perform proper lubrication and maintenance procedures according to the manual. Keep handles or buttons clean, dry, and free of oil;
17. Stay alert. Use common sense to observe what you are doing and stay alert;
18. Check for damaged parts. Check for adjustments to moving parts, damage to parts, or anything that may affect their operation. Do not use the machine if the parts are damaged;
19. Do not remove relevant safety parts from the machine. Do not use a lift if it is damaged or missing;
20. Operate the lift only at temperature between 41°F to 104°F (5°C to 40°C).

 **DANGER** Be very careful when installing, operating, maintaining or repairing this equipment. Failure to comply may result in property damage, product damage, injury or (in very rare cases) death. Ensure that only authorized personnel operate the equipment. All repairs must be carried out by an authorized technician. Do not modify the machine, this voids the warranty and increases the probability of personal injury or property damage. Ensure to read and follow this instructions on the label.

I. PRODUCT FEATURES AND SPECIFICATIONS

PORTABLE LIFT MODEL MRP06

- Manual safety device: mechanical safety lock, no need extra air source.
- Portable design: It is easy to move the whole lift with the portable cart.
- Two kinds of rubber pads are included as standard.
- Extension rubber ramps are included as standard.



Fig. 2

Dimension

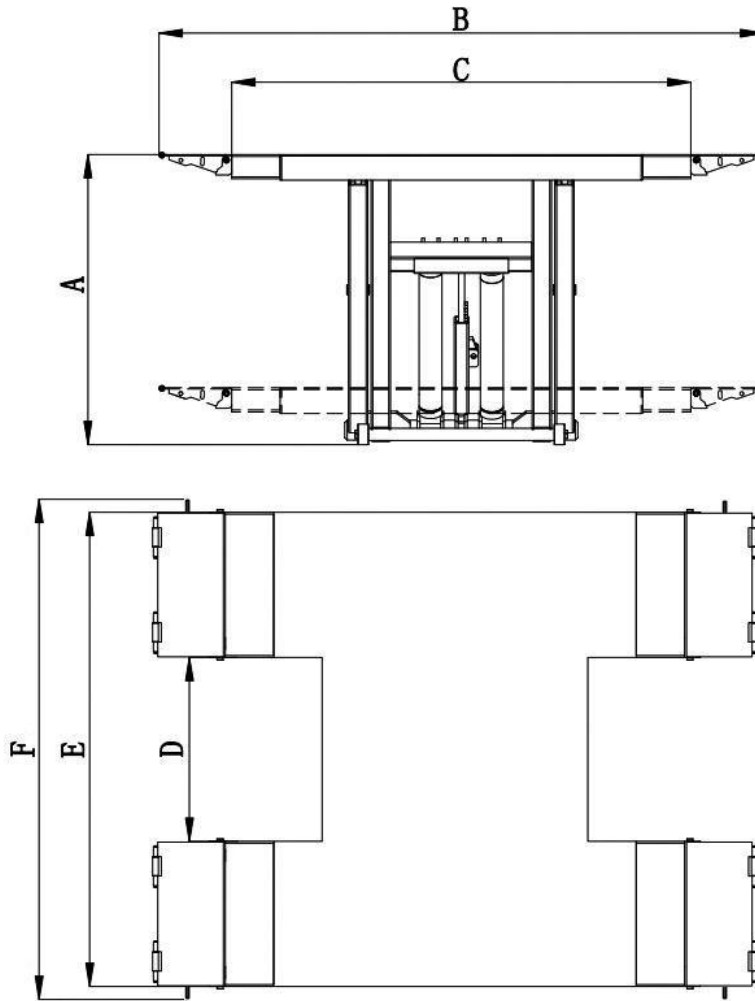


Fig. 3

MODEL MRP06 SPECIFICATIONS

Model	Lifting Capacity	Lifting Time	A			B	C	D	E	F	Motor
			Max. Lifting Height	Max. Locking height	Min. height	Overall Length (incl. Ramps)	Overall Length (not incl. Ramps)	Width between runways	Outside edge of runways	Overall Width	
MRP06	6000lbs	68S 26S	41 3/4"	40 9/16"	4 1/8"	79 15/16"	57 1/2"	29 15/16"	77 3/16"	80 5/16"	110V/1.0HP 220V/2.0HP

⚠Warning When driving the vehicle onto the lift, make sure it is positioned in middle of runways. Any hit of the lift could result in damage to either the vehicle or lift.

II. INSTALLATION REQUIREMENT

A. TOOLS REQUIRED

✓ Screw Set



✓ English Spanner (12")



✓ Wrench sets: (13#, 15#, 17#, 19#)



✓ Hook spanner (40~42mm)



✓ Pliers



Fig. 4

Important Notes

Please follow the instructions to ensure proper installation or operation of your lift.

Failure to follow these instructions could lead to serious body injury.


The product warranty is also void.

The manufacturer shall not be liable for any form of loss or damage caused directly or indirectly by incorrect installation or operation of this product.

Please read this manual thoroughly before installation.

B. POWER SUPPLY

The power supply capacity must be **2.0HP**, with a cord larger than 12AWG, and must be properly grounded.

 **DANGER** All electrical wiring must be performed by a licensed and certified electrician. Attempting to connect the circuit without proper certification may result in damage to the lift or electrocution, resulting in serious injury or death.

III. INSTALLATION STEPS

A. Check the parts before assembly, confirm all the parts are completed.

1. Packaged lift, parts box, power unit , power unit stand and telescoping dolly.

Move all parts aside to installation place, open the outer packing and check the parts according to the shipment parts list (**See Fig. 3**).

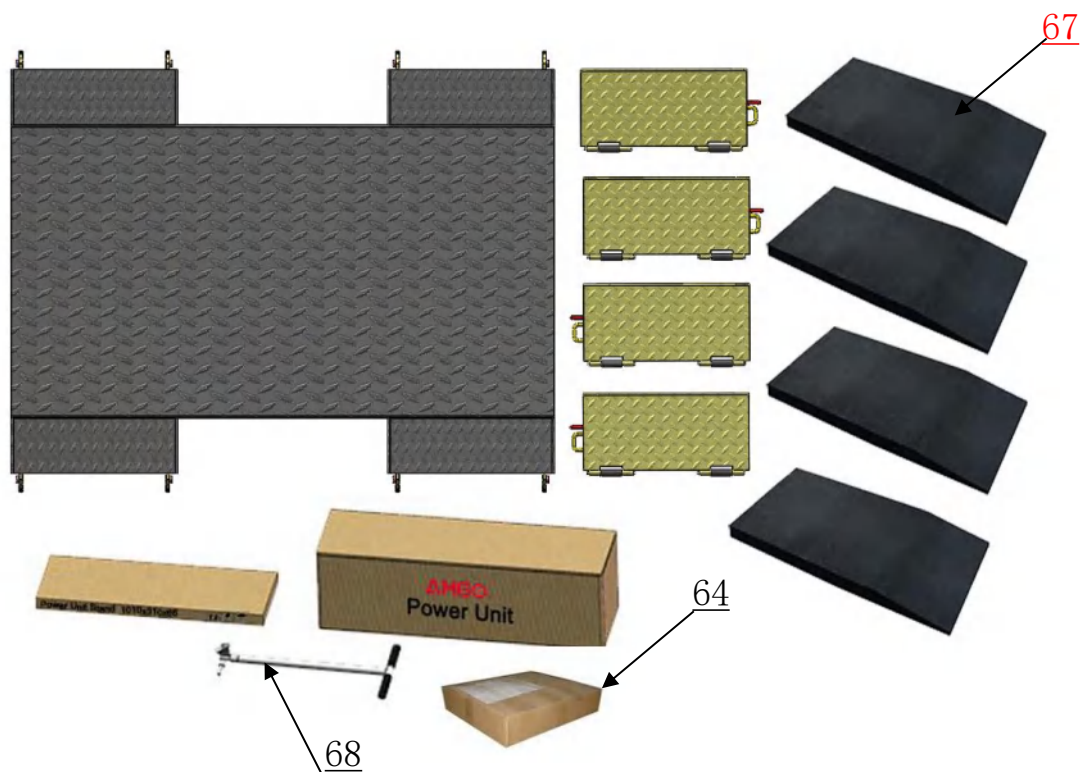


Fig. 5

2. Open the parts box, check the parts according to the part list (See Fig. 6).

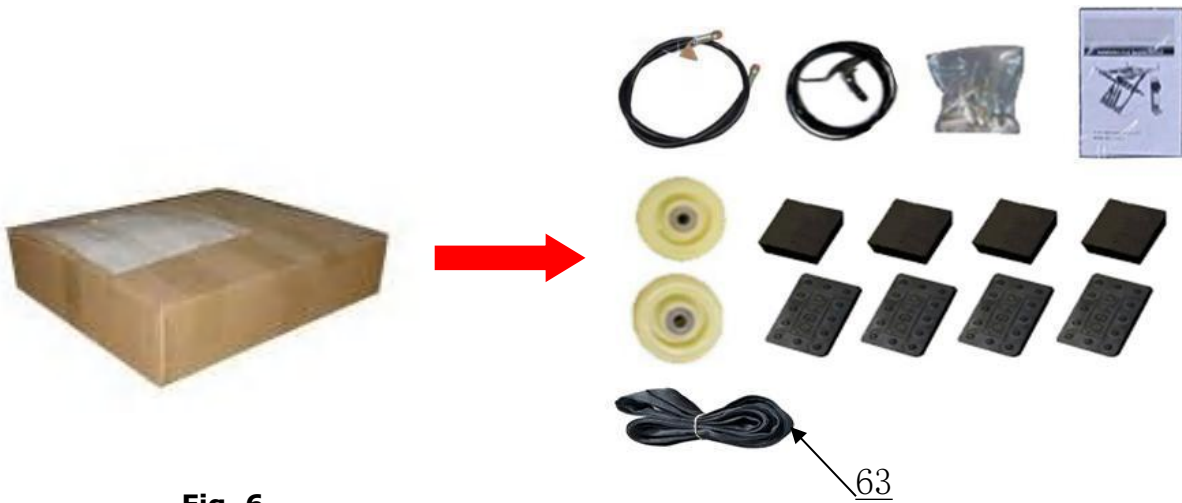


Fig. 6

3. Check the parts of the parts bag according to the parts bag list (See Fig. 7).

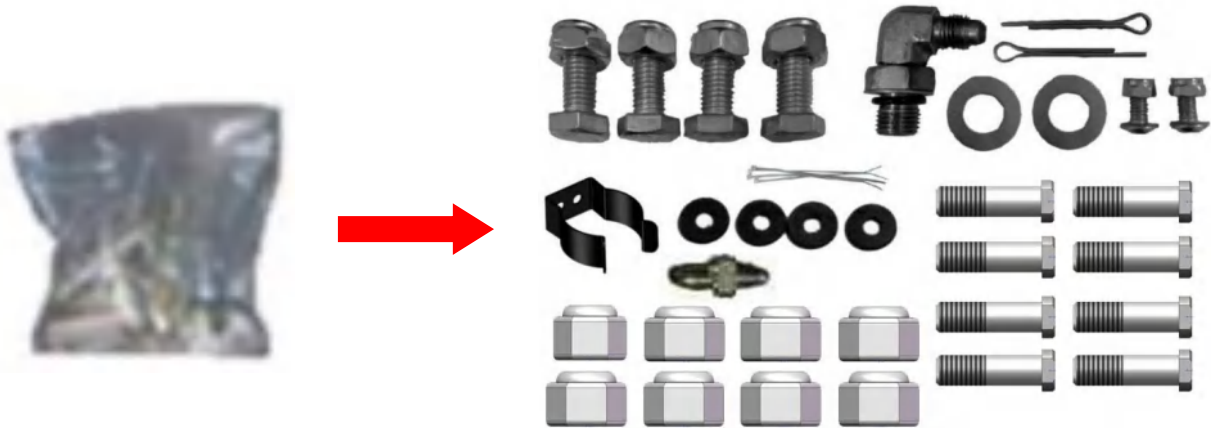


Fig.7

4. Open the carton and check the parts of power unit stand (See Fig. 8).

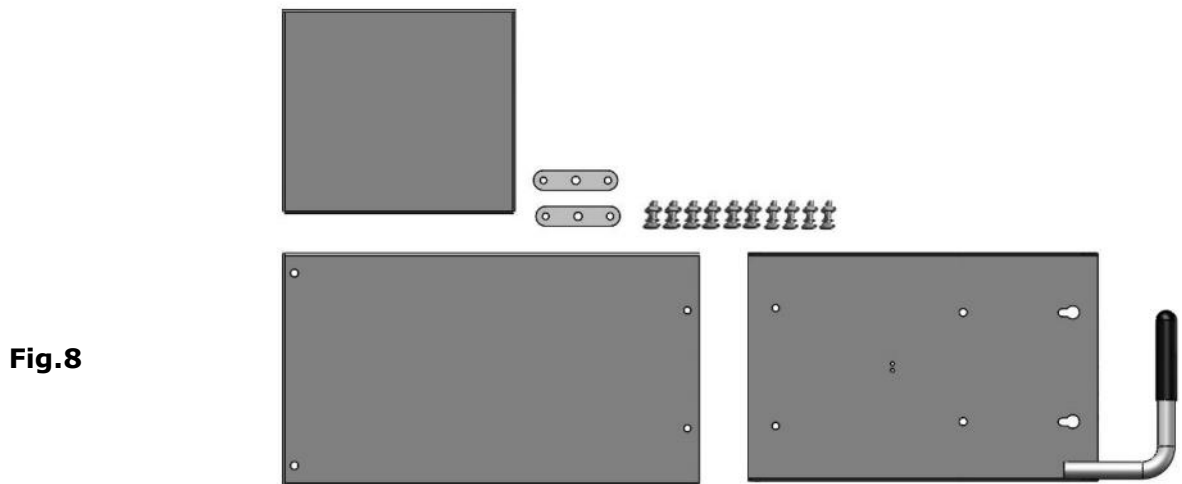


Fig.8

B. Install power unit stand, lock release handle and telescoping dolly.

1. Assemble power unit stand, lock release handle and U-shaped pipe strap.

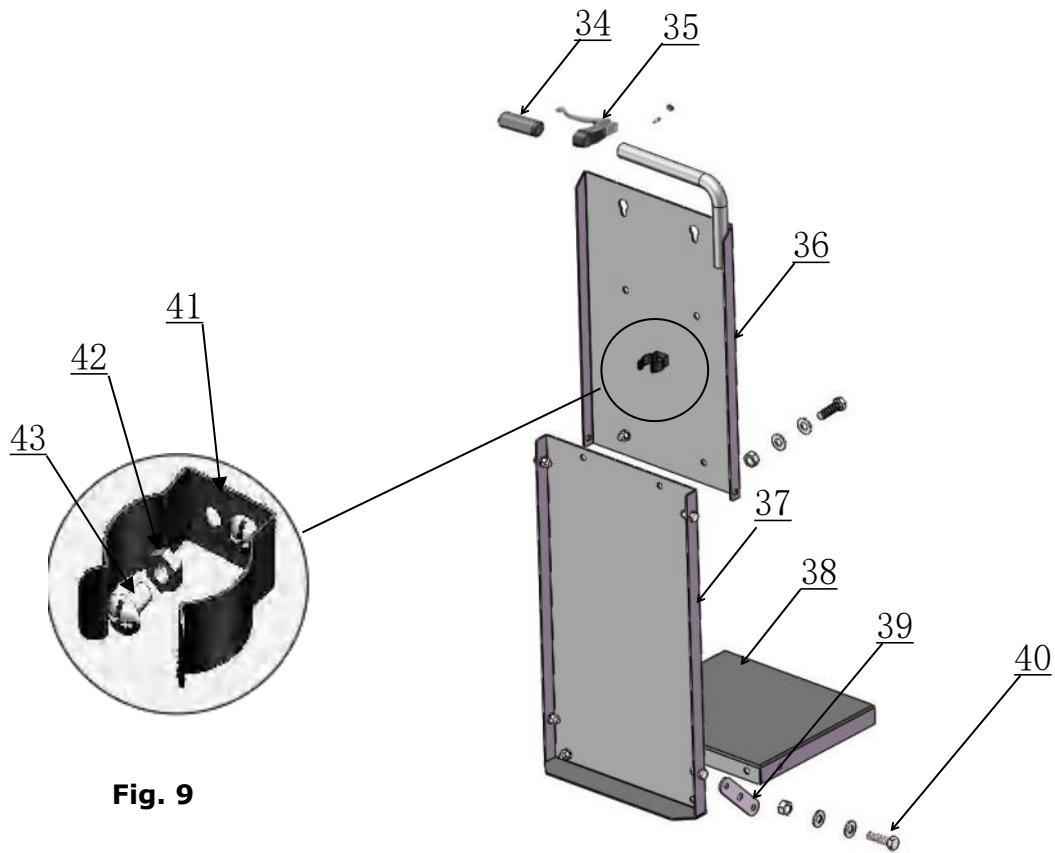


Fig. 9

2. Install power unit.

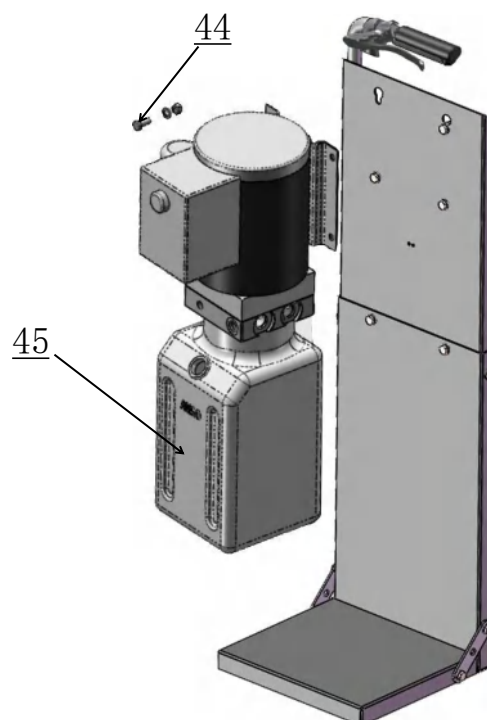


Fig. 10

3. Install the telescoping dolly assy. (Part No.1103334002C)

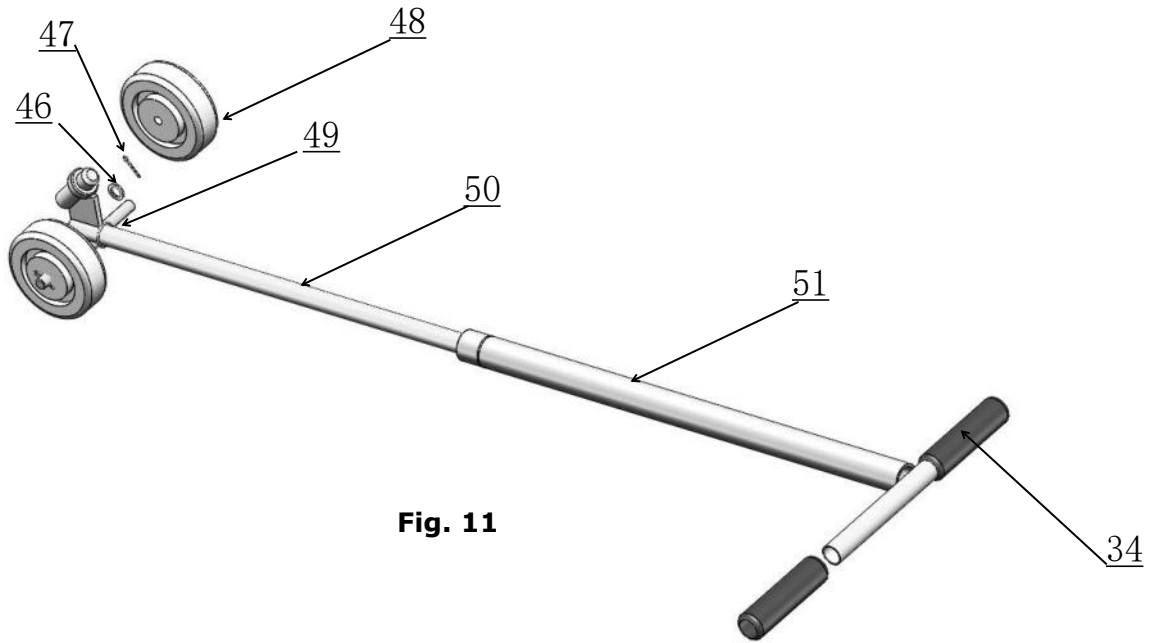


Fig. 11

4. Telescoping dolly operation illustrations.

4.1 To use the dolly, pull the extension casing to the longest and then rotate it counterclockwise until the rod is tightened with the casing.

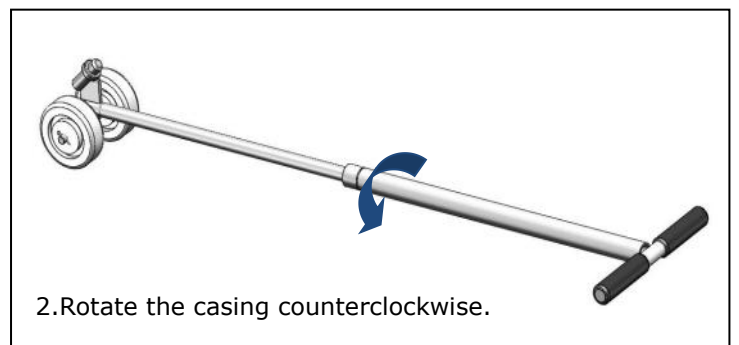
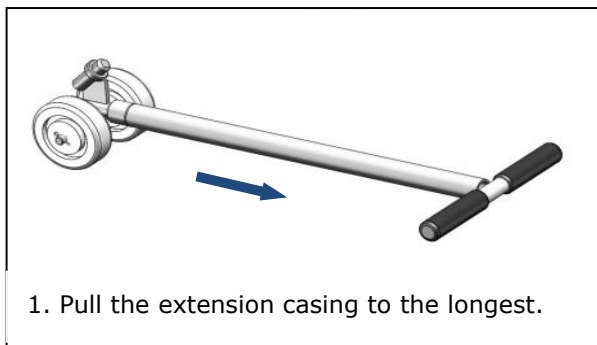


Fig. 12

4.2 After finishing the work, turn the casing clockwise, shorten the rod to the shortest position and hang it into U-shaped pipe strap installed on back of the power unit stand.

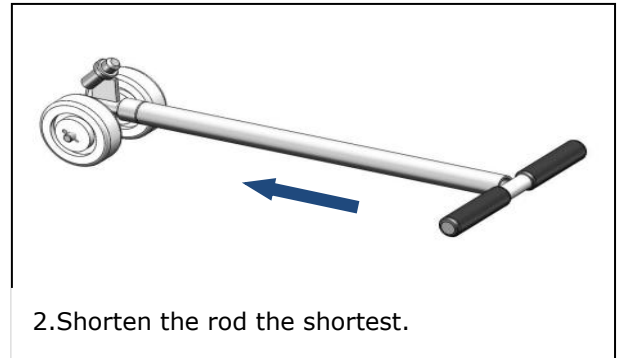
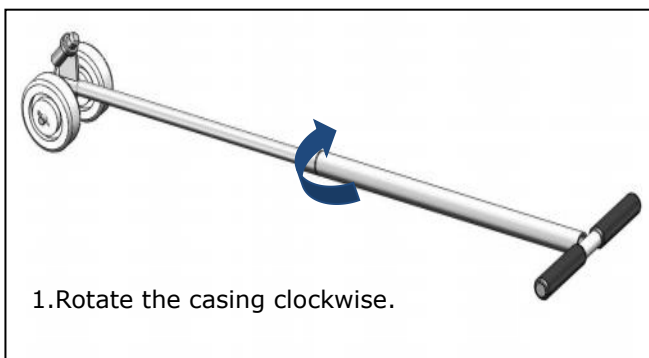


Fig. 13

C. Install oil hose assy.

1. Pass oil hoses through protective sleeve and connect oil hoses as show below.

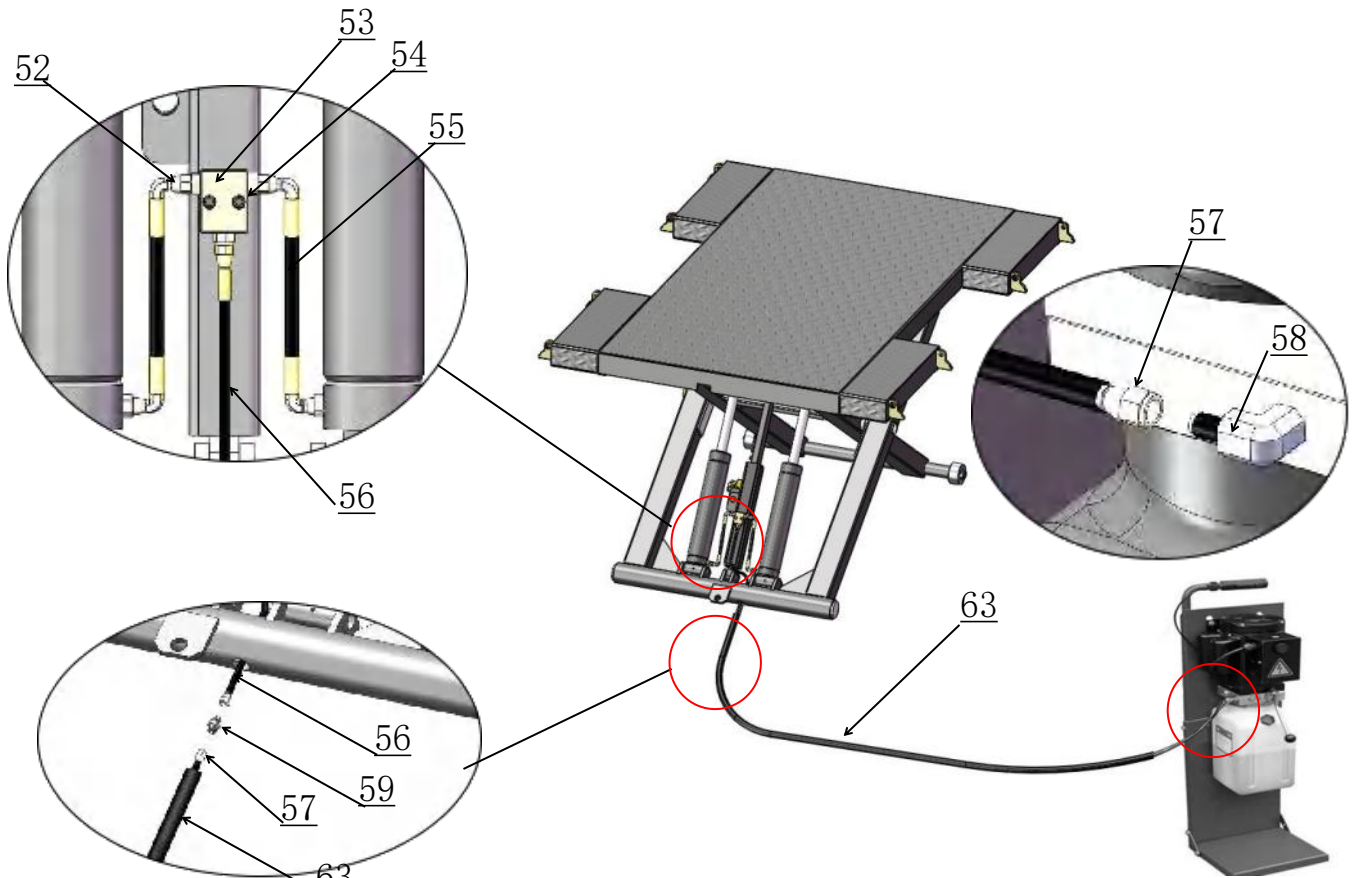


Fig. 14

D. Install safety device lock release cable tube.

1. Pass the lock release cable tube through the protective sleeve, and pass the other end through the hole of scissor.

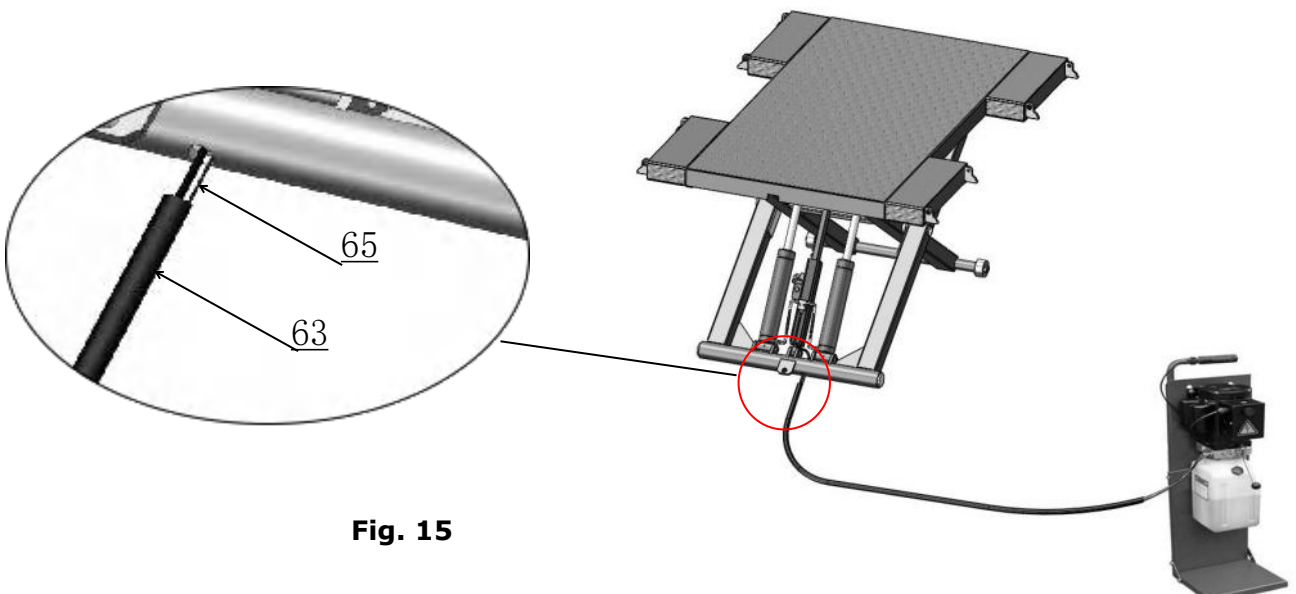


Fig. 15

2. Install M8*16 hex bolt to safety device (do not tighten yet), thread the lock release cable across the bolt and then tighten the bolt.

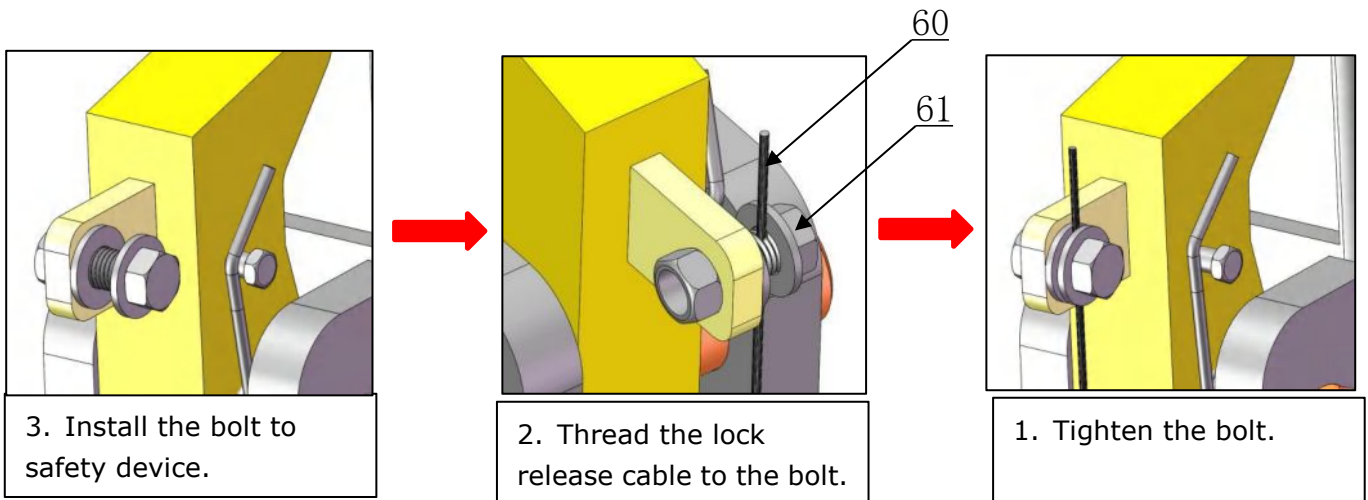


Fig. 16

3. Clench the lock release handle, if it cannot be loosened normally or is overly loose, loosen the bolt and adjust the cable extension length until the handle functions properly, then tighten the bolt.

E. Install Electrical System

Connect the power source according to the data plate of Motor.

Attention:

1. For the safety of operators, the lift must be well grounded.
2. After installation, test if the lift works fine.

Single phase motor

Connect the two power supply wires to terminals of AC contactor marked L1, L3 respectively. Connect the earth wire to earth strip. (You can refer to the circuit diagram on the back of the motor box for connection)

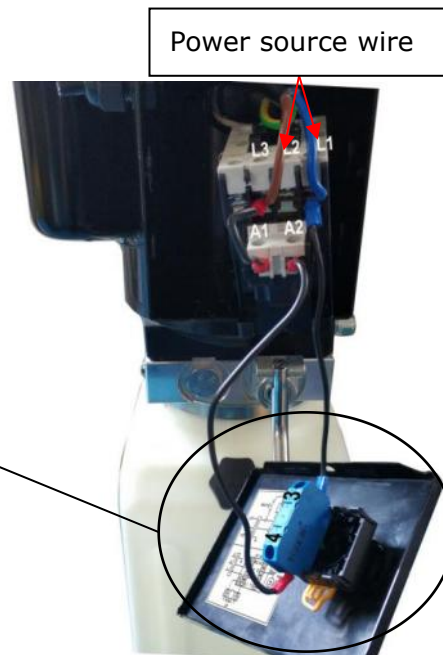
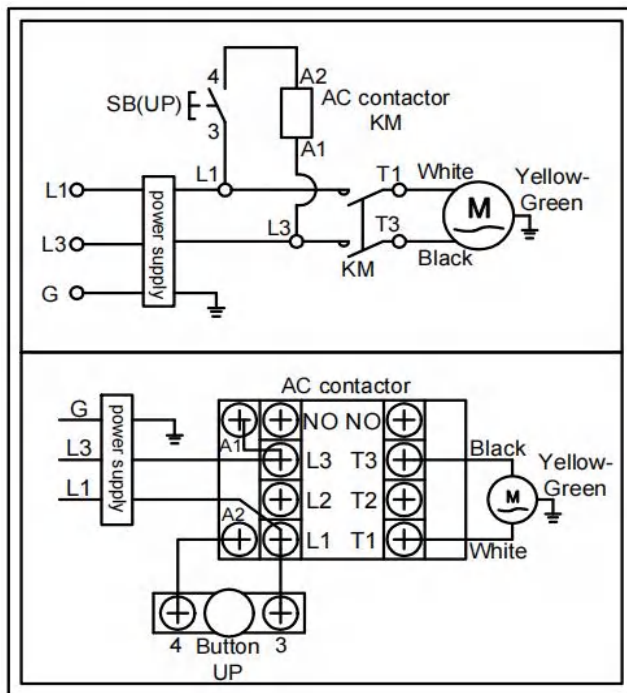


Fig. 17

⚠ DANGER Do not use the lift if the wires are damaged or severely worn. If the vehicle rises without noticing damage or extreme wear, carefully lower the vehicle to the ground. Once the lift is on the ground, remove it, disconnect the power, and arrange for protection.

F. Install drive-on ramps

1. Install the drive-on ramps to the platforms with fixing pin. (Please ensure the U-shape handle is facing outward).

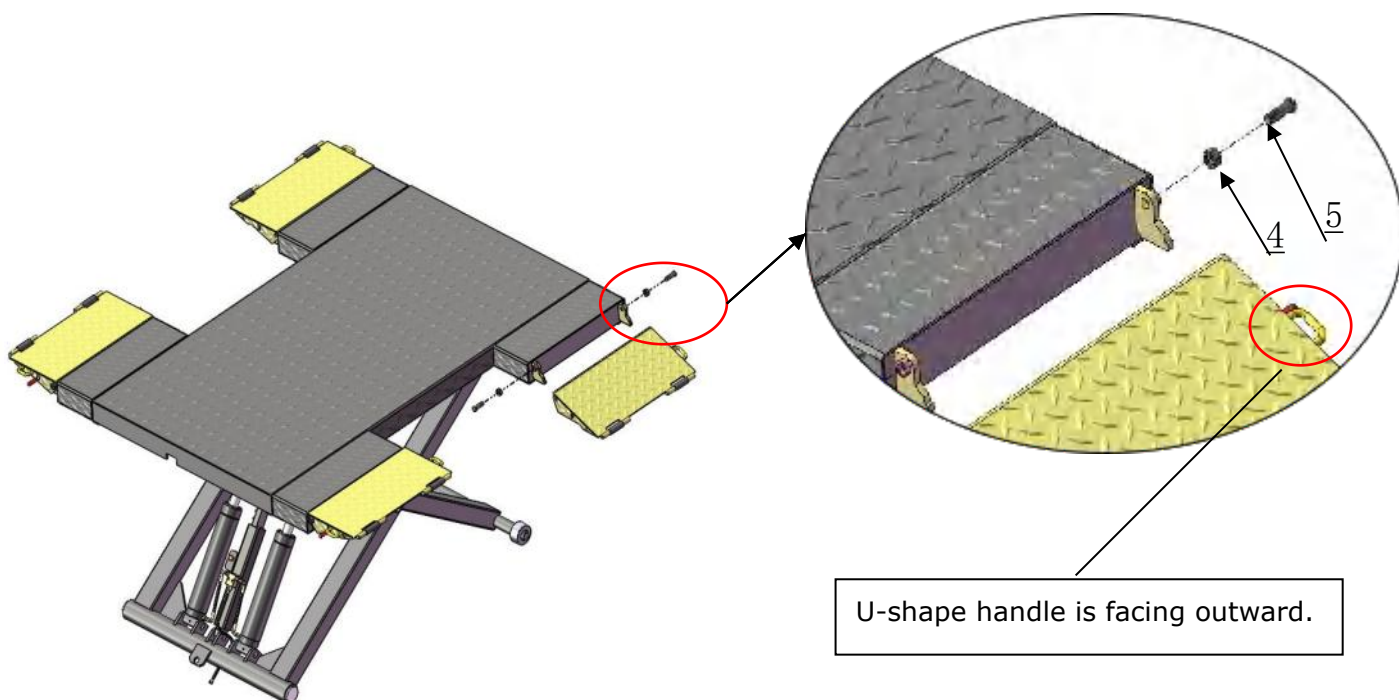


Fig. 18

Drive-on ramp assembly (left) (11620128C-L)

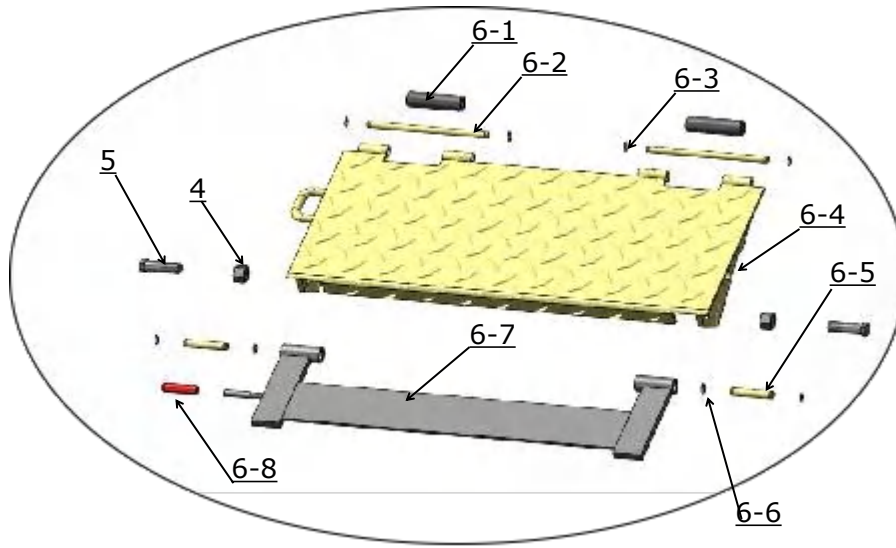


Fig. 19

Item	Part#	Description	QTY.
6-1	10620063	Roller	4
6-2	10620124	Fixing pin	4
6-3	10209010	φ10 clip ring	8
6-4	11620128L	Drive-on ramp (left)	2
6-5	11620123	Connecting pin of support frame	4
6-6	10420037	φ16 clip ring	8
6-7	11620129L	Support frame (left)	2
6-8	106201366	Handle sleeve (red)	2

Drive-on ramp assembly (right) (11620128C-R)

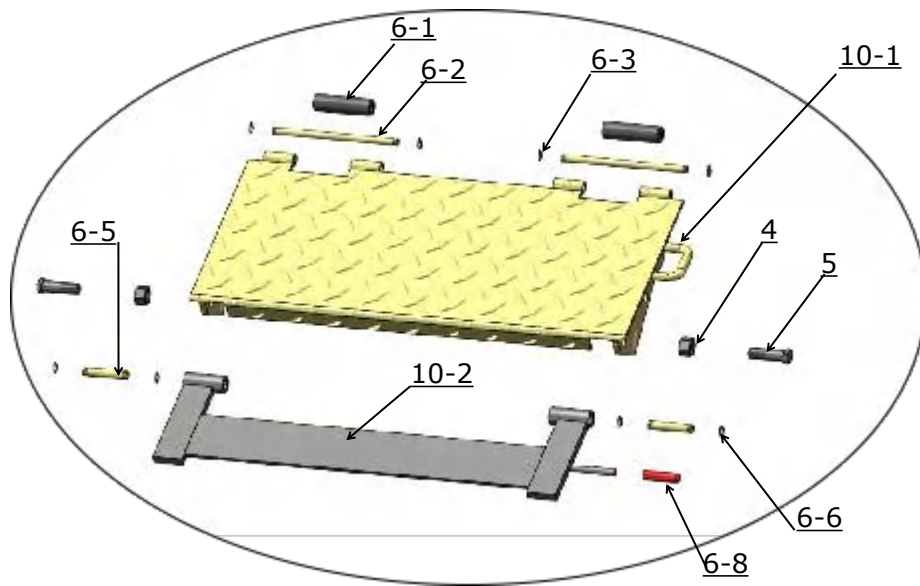


Fig. 20

Item	Part#	Description	QTY.
6-1	10620063	Roller	4
6-2	10620124	Fixing pin	4
6-3	10209010	φ10 clip ring	8
10-1	11620128R	Drive-on ramp (right)	2
6-5	11620123	Connecting pin of support frame	4
6-6	10420037	φ16 clip ring	8
10-2	11620129R	Support frame (right)	2
6-8	106201366	Handle sleeve (red)	2

IV. EXPLODED VIEW

Model MRP06

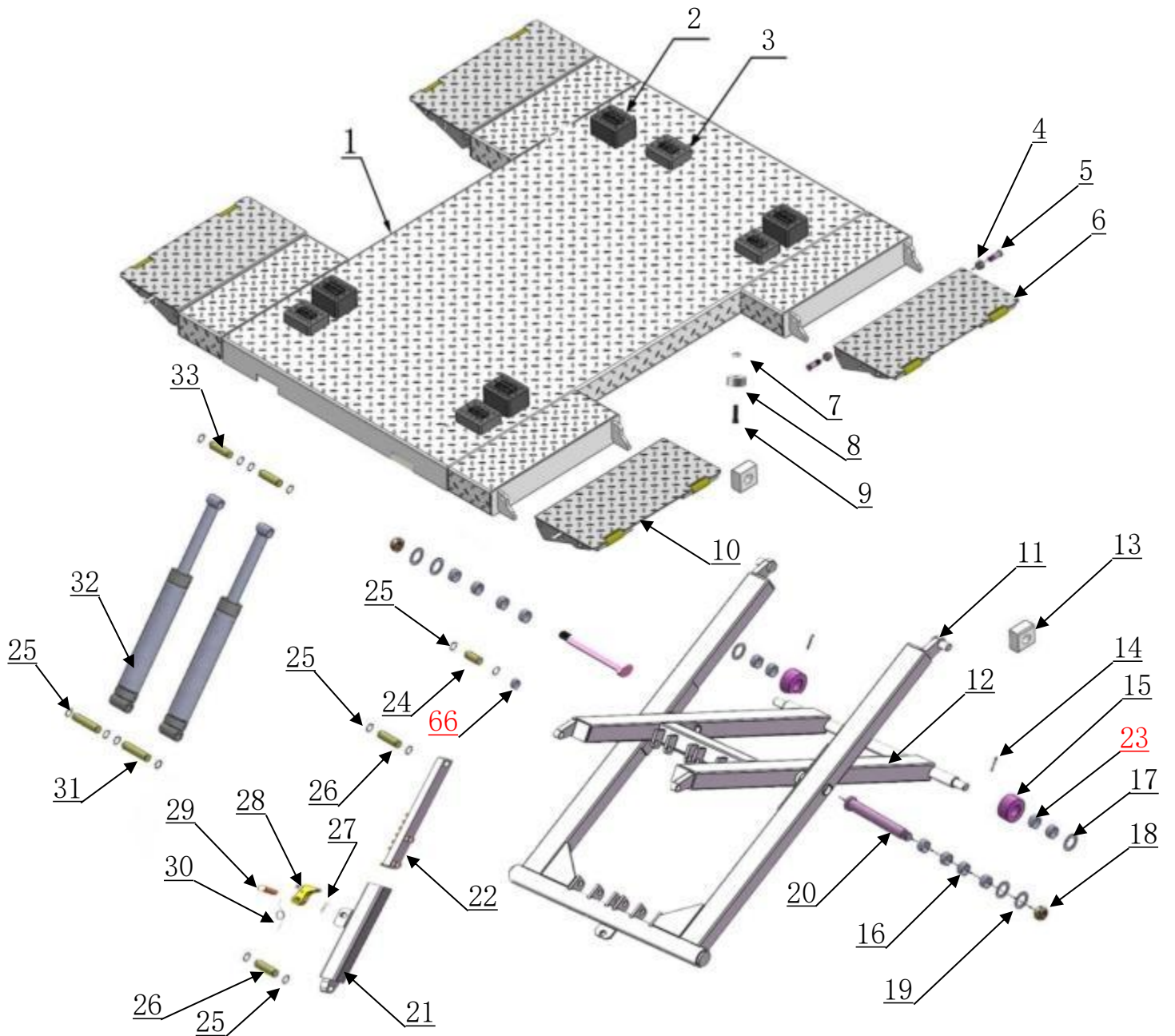


Fig. 21

PARTS LIST FOR MODEL MRP06

Item	Part#	Description	QTY.
1	1103333001A	Platform	1
2	10610070	Rubber pad 120*100*70	4
3	10620034	Rubber Pad 120*100*38	4
4	10650024	M16 Nylok nut	8
5	11620124	Drive-on ramp fixing pin	8
6	11620128C-L	Drive-on ramp assy. (left)	2
7	10209021	M10 Nut	8
8	1003334007	Rubber cushion ϕ 40*20	8
9	10209125	M10*30 socket bolt	8
10	11620128C-R	Drive-on ramp assy. (right)	2
11	1103332002A	Outer scissor	1
12	1103332001A-01	Inner scissors	1
13	10610003A	Top slide block (white)76*76*41	2
14	10201005	ϕ 4*50 cotter pin	2
15	10640022-01	Roller	2
16	10420132A	Bronze bush ϕ 41.2* ϕ 35.2*20	8
17	10420023A	Flat washer ϕ 36* ϕ 65*3	4
18	110610019	Nylok nut M30*3.5	2
19	10640109	Flat washer ϕ 44* ϕ 25.5*2	4
20	1103332003A	Scissor pin ϕ 35*274	2
21	11640153-01	Support square tube	1
22	1103012002A	Support plate	1
23	1003205003	Bush ϕ 39* ϕ 35*20	4
24	11650003	Top pin ϕ 25*62	2
25	10206032	ϕ 25 clip ring	12
26	11640130-01	Safety device pin	2
27	10209012	ϕ 3.2 Snap ring	1
28	1164015	Safety block	1
29	11640154-01	Safety block pin ϕ 22*68	1
30	10640155	Ring ϕ 23* ϕ 27*2	1
31	11640009	Cylinder bottom connecting pin	2
32	1003336000	Cylinder	2
33	11640057-01	Cylinder pin ϕ 25*86	2
34	10640126	Handle sleeve	3
35	10640115	Lock release handle	1
36	1103334010A-01	Power unit support bracket 1	1
37	11033334012	Power unit support bracket 2	1
38	1103334011	Power unit support base	1

Item	Part#	Description	QTY.
40	1004574011	M8*20 hex bolt (include flat washer, lock washer, nut)	10
41	1003085005	U shape pipe strap	1
42	10420161	M4 nylok nut	2
43	102201104	Round head bolt	2
44	1001085009	M8*25 hex bolt (include rubber ring, nylok nut)	4
45	071103	110V power unit	1
	071104	220V power unit	
46	10206006	Φ12 flat washer	2
47	10630107	Φ3*20 cotter pin	2
48	1003275021	4" white roller	2
49	1003085005	Φ24*2 clasp ring	1
50	1103334002A	Telescoping rod	1
51	1103334009A	Lengthened casing	1
52	10209064	Straight fitting 1/4NPT*1/4JIC	5
53	1103012001	Three-way manifold block	1
54	10420138	M6*16socket bot	2
55	1003015003-01	Oil hose assy. L= 7 9/16"	2
56	1003334001	Oil hose assy. L= 14 3/4"	1
57	1003334006	Oil hose assy. L= 122 13/16"	1
58	10209060	90° fitting1/4JIC(M)*3/8SAE(M)	1
59	10620079	Straight fitting 1/4JIC(M)*1/4JIC(M)	1
60	10640156-01	Lock release cable L=165 3/16"	1
61	1003015007	M8*16 hex bolt (include 2 flat washer, nylok nut)	1
62	81400438	M5*10 hex bolt	1
63	10650008	Protective sleeve	1
64	1003334008	Parts box	1
65	10640121-01	Lock release cable tube Φ5*Φ2*153 15/16"	1
66	1003015008	Bush φ28*φ25*25	2
67	SX004	Extension rubber ramp	4
68	1103334002C	Dolly assy.	1

4.1 CYLINDER (1003336000)

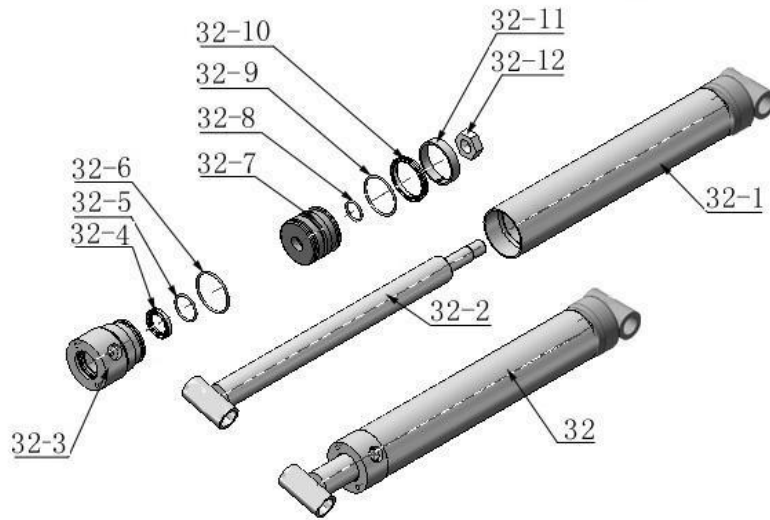


Fig.22

Item	Part#	Description	QTY.
32-1	11640657	Bore weldment	2
32-2	11640031A	Piston rod	2
32-3	1103336002	Head cap	2
32-4	10209078	Dust ring	2
32-5	10201032	O-ring	2
32-6	10203084	O-ring	2
32-7	11203079	Piston	2
32-8	10206069	O-ring	2
32-9	10203082	O-ring	2
32-10	10620054-01	Y-ring USH	2
32-11	10410086	Support ring	2
32-12	10206071	Nut	2

Manual Power unit valve position instruction

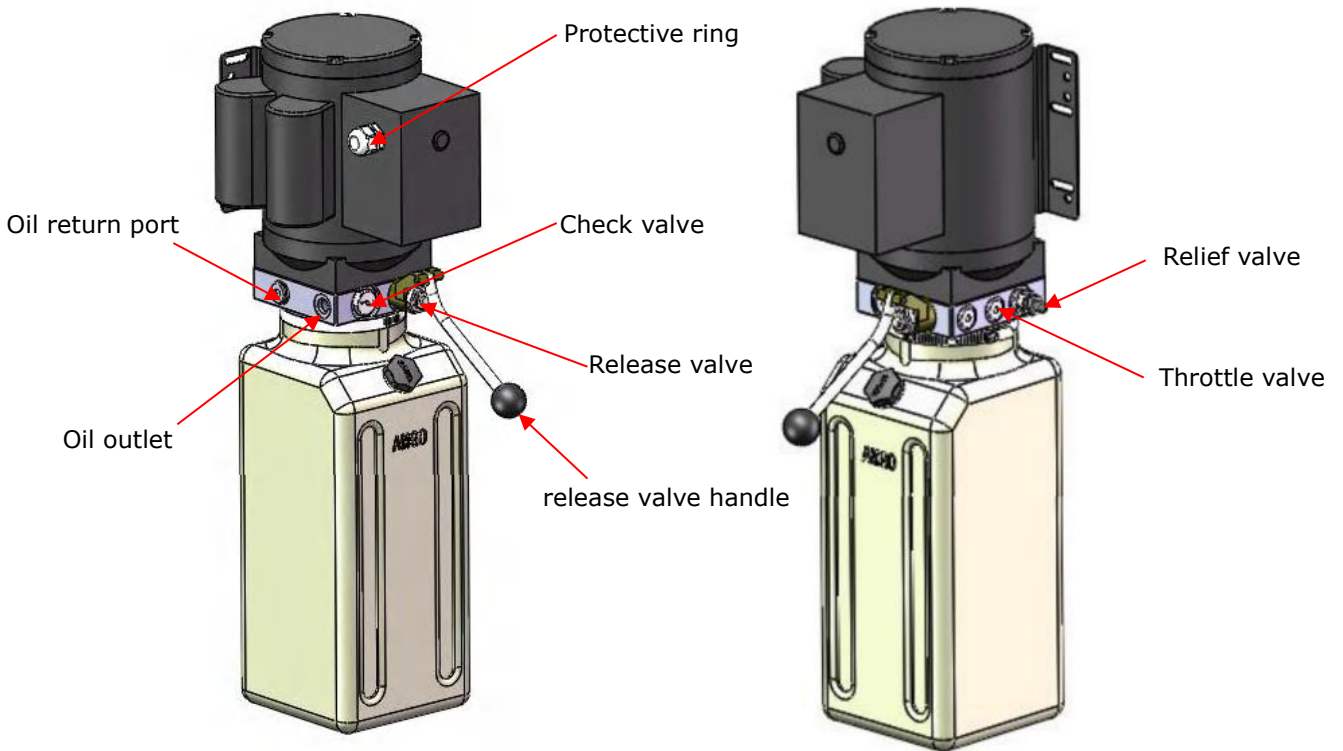


Fig.23

V. OPERATION INSTRUCTIONS

Connect the oil hoses between cylinder and power unit, connect the power wire, and the lift can be used.

1. To lift vehicle

Drive the vehicle onto the middle of platform, choose the proper rubber pads, push the power unit UP button and lift the vehicle to proper position, then press the release valve handle till the lift are locked at the safety device.

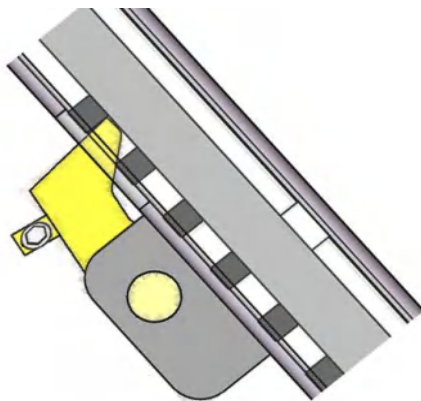


Fig.24

Note: Rise to proper position then descend till the lift is locked at safety device before working.

2. To lower vehicle

Push power unit **UP** button to raise the lift till the safety lock is out of lock status (**fig. 25**). Clench the lock release handle (**fig. 26**), then press the release valve handle to lower the vehicle (**fig 27**).

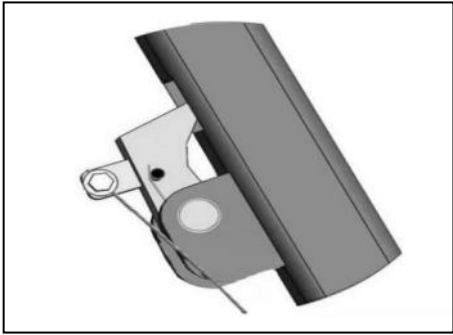


Fig.25



Fig.26

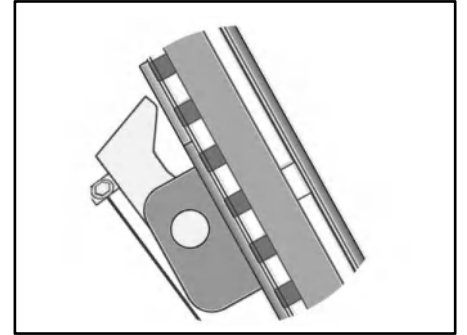


Fig.27

3. Extension rubber ramp illustration.

To lift low chassis vehicles, extension rubber ramps are used to facilitate easy driving in and out. Position the ramps at the entrance and exit accordingly.

Note: each lift has 4 pieces extension rubber ramps.

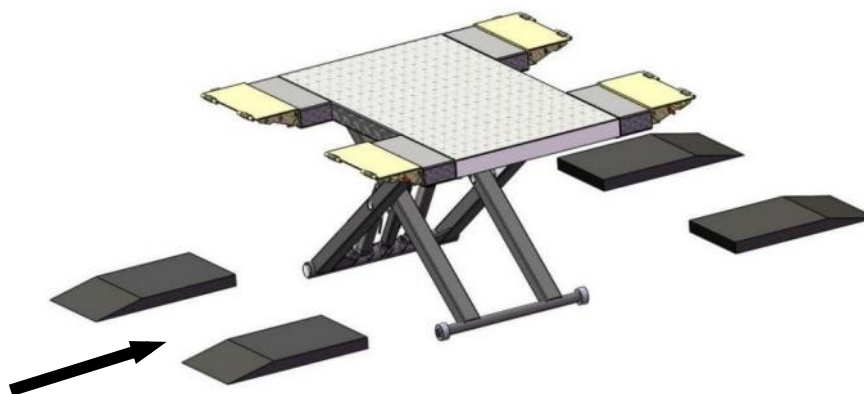


Fig.28

4. To move the lift

Raise or lower the lift to 7 7/8" from the ground, hook and pry up the lift with telescoping dolly, and then the lift can be moved. See fig 29.



Fig.29

VI. MAINTENANCE SCHEDULE

Monthly:

1. Check all fitting, bolts and pins to ensure proper connection.
2. Make a visual inspection of all hydraulic hoses/lines for possible wear or leakage.

Every six months:

1. Make a visual inspection of all moving parts for possible wear, interference or damage.
2. Check all fastener and re-torque.

Cylinder Maintenance:

In order to extend the life of the cylinder, please follow the following requirements.

1. Recommended N46 anti-wear hydraulic oil;
2. Replace the oil regularly. Replace the hydraulic oil after three months of the first installation, the replace yearly;
3. Take at least a full stroke run everyday to bleed out the possible exit air. This operation would effectively avoid the air or water that cause cylinder corrosion and seal kit damage;
4. Protect the outer surface of the cylinder piston rod to prevent bumps and scratches, clean up the position of the cylinder dust ring and the debris on the piston rod in time.

VII. TROUBLE SHOOTING

TROUBLE	CAUSE	REMEDY
Motor does not run	<ol style="list-style-type: none"> 1. Button does not work 2. Wiring connections are not in good condition 3. Motor burned out 4. AC contactor burned out 	<ol style="list-style-type: none"> 1. Replace button 2. Repair all wiring connections 3. Repair or replace motor 4. Replace AC Contactor
Motor runs but the lift is not raised	<ol style="list-style-type: none"> 1. Gear Pump out of operation 2. Release Valve in damage 3. Relief Valve or Check Valve in damage 4. Low oil level 5. Overload lifting or low pressure 	<ol style="list-style-type: none"> 1. Repair or replace 2. Repair or replace 3. Repair or replace 4. Fill tank 5. Check load or adjust the relief valve
Lift does not stay up	<ol style="list-style-type: none"> 1. Release Valve out of work 2. Relief Valve or Check valve leakage 3. Cylinder or fittings leaks 	Repair or replace
Lift raises slowly	<ol style="list-style-type: none"> 1. Oil line is jammed 2. Motor running on low voltage 3. Oil mixed with air 4. Gear pump leaks 5. Overload lifting 	<ol style="list-style-type: none"> 1. Clean the oil line 2. Check electrical system 3. Fill tank 4. Repair or replace 5. Check load
Lift cannot lower	<ol style="list-style-type: none"> 1. Safety device are in activated 2. Release Valve in damage 3. Oil system is jammed 	<ol style="list-style-type: none"> 1. Release the safeties 2. Repair or replace 3. Clean the oil system

VIII. CAR LIFT SAFETY TIPS

Put this safety tips in a place where you can always alert the operator. Please reference to the lift manufacturer's manual for specific information about the lift.

1. Check the lift daily. If the machine breaks down or has damaged parts, do not operate, and use original equipment parts to repair.
2. **Do not** overload . The rated weight of the manufacturer design is indicated on the label of the lift.
3. Position control of the vehicle and operation of the lift can only be done by a trained and authorized person.
4. **Do not** lift a car with occupants inside. Keep the customers or bystanders away from the lift.
5. Keep the area around the lift free of obstacles, lubricating oil, grease, garbage and other debris for a long time.
6. Carefully drive the vehicle onto the lift and lifting up to the required height for operation. **Noted:** lift it high enough if you are working underneath, and make sure the safety devices are locked.
7. **Noted:** removing(install) parts from(to) a vehicle would cause a sudden shift of gravity which may result in instability of the vehicle. Please refer to the vehicle manufacturer's service manual as a recommended procedure if you need remove/install parts from(to) the vehicle
8. Before lowering the lift , make sure all obstacles underneath, include tool tray, tool rack etc., are all removed.

IX. LIFT DISPOSAL

When the car lift cannot meet the requirements for normal use and needs to be disposed, it should follow local laws and regulations.



Address:

SC Division: 1931 Joe Rogers Jr Blvd, Manning, SC 29102, USA

TX Division: 4310 Adler Dr., Suite #200, Dallas, TX 75211, USA

<http://www.amgohyd.com>

Manual No.: **72216003**
Revision Date: **2024/06**