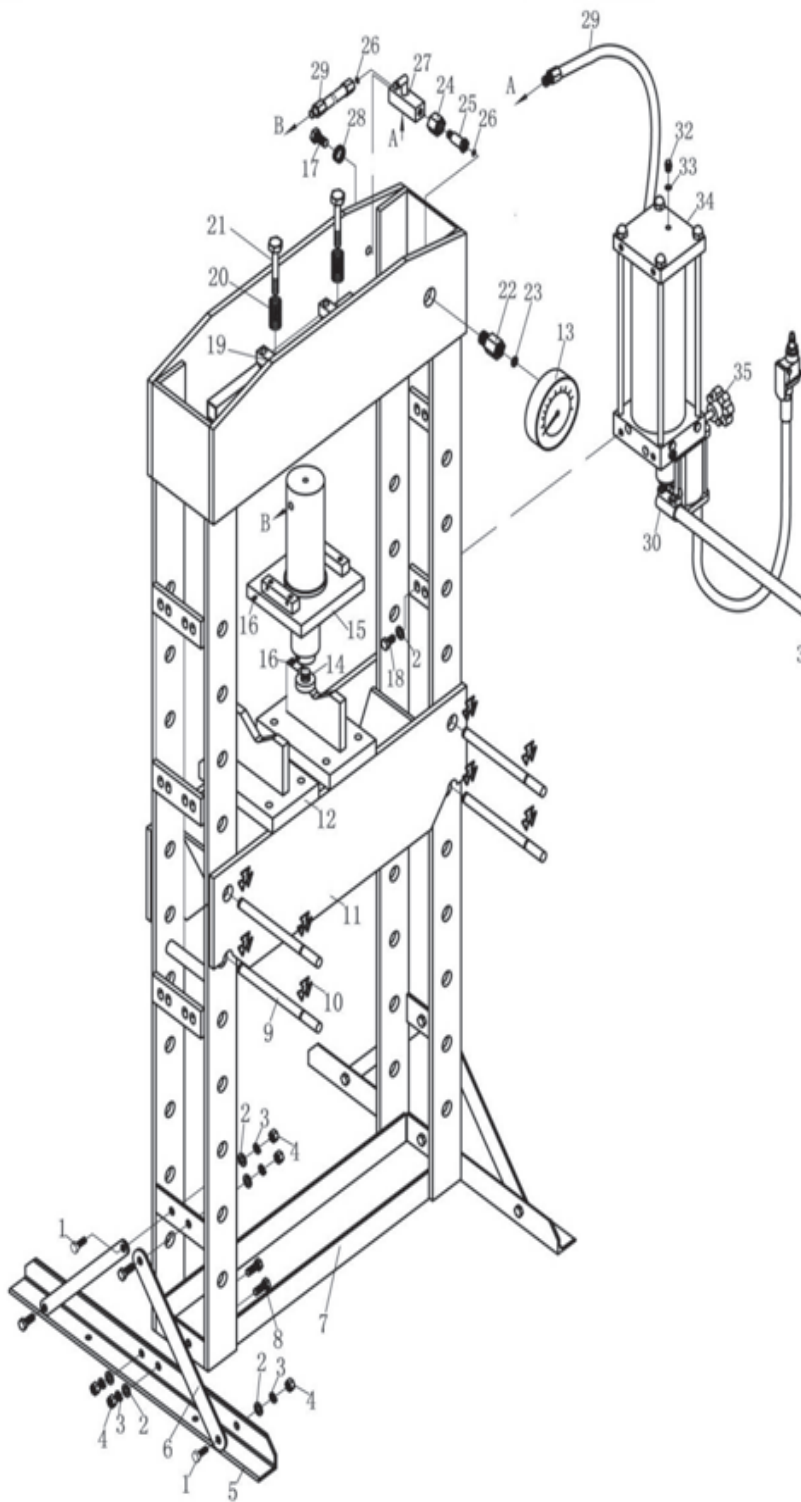




30 TON SUPER DUTY SHOP PRESS # 852SD



REF	PART NUMBER	DESCRIPTION	REQ
1	852SD-HK	BOLT M10×25	8
2	852SD-HK	WASHER Φ10	16
3	852SD-HK	LOCK WASHER Φ10	12
4	852SD-HK	NUT M10	12
5	852SD-5	BASE SECTION	2
6	852SD-6	SUPPORT	4
7	852SD-7	BASE	2
8	852SD-HK	BOLT M10×35	4
9	852SD-9	BED FRAME PIN	4
10	852SD-10	CIRCLIP	8
11	852SD-11	BED FRAME	1
12	852SD-12	HEEL BLOCK	2
13	852SD-13	PRESSURE GAUGE	1
14	852SD-14	SERRATED SADDLE	1
15	852SD-15	RAM ASSY	1
16	852SD-16	SCREW M6×8	5
17	852SD-17	BOLT M12×25	1
18	852SD-HK	BOLT M10×20	4
19	852SD-19	LINK ROD	2
20	852SD-20	SPRING	4
21	852SD-21	BOLT M10×120	4
22	852SD-22	GAUGE FITTING	1
23	852SD-23	NYLON RING	1
24	852SD-24	NUT	1
25	852SD-25	SCREW	1
26	852SD-26	O-RING	2
27	852SD-27	BANJO FIXING	1
28	852SD-28	LOCK WASHER Φ12	1
29	852SD-29	OIL HOSE	2
30	852SD-30	HANDLE SOCKET	1
31	852SD-31	HANDLE	1
32	852SD-32	OIL FILLER NUT	1
33	852SD-33	NYLON RING	1
34	852SD-34	PUMP ASSY	1
35	852SD-35	RELEASE VALVE	1
36	852SD-36	BOLT	1
37	852SD-37	MESH GUARD	1
38	852SD-38	ADAPTER ACCESSORIES	1
RK	852SD-RK	PUMP ASST REPAIR KIT	1