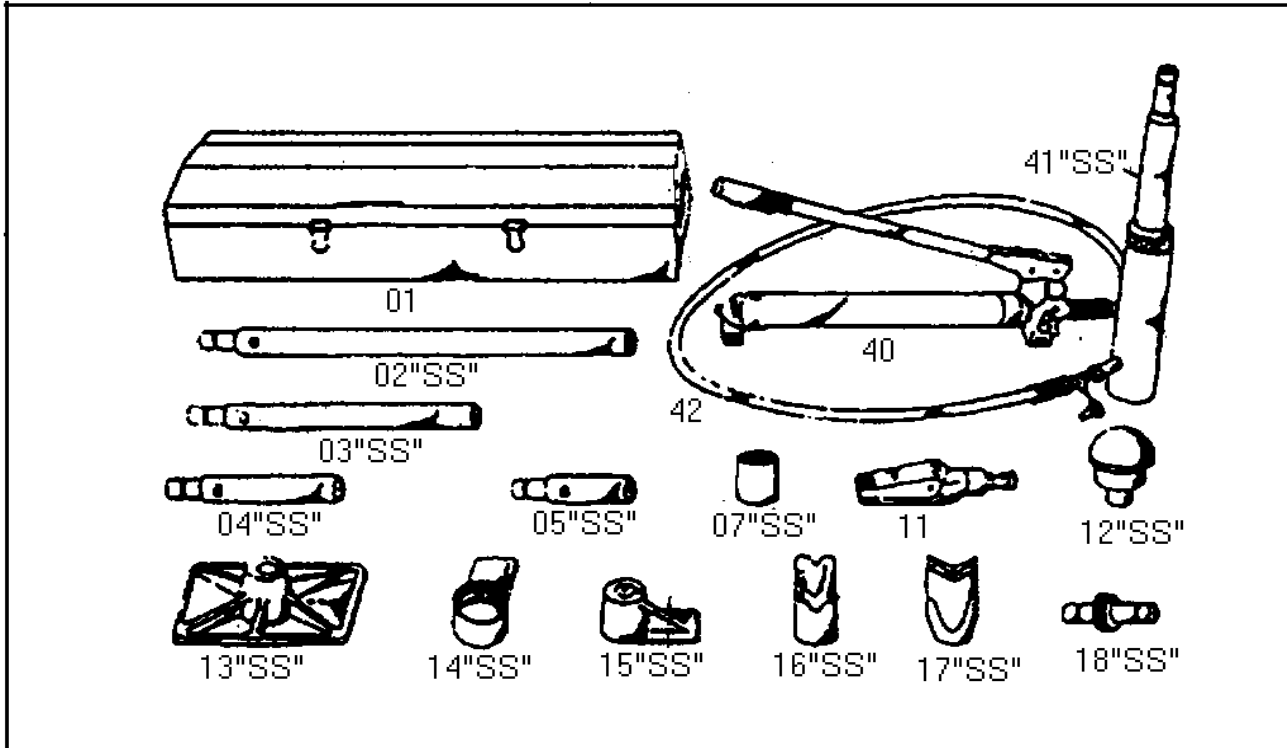




# MODEL 815/815C - 10 TON BODY & FRAME KIT

update 11-05



PART ORDER NUMBER	KIT DESCRIPTION	KIT INCLUDES	
		REF.#	DESCRIPTION
815K01	CASE	01	METAL STORAGE CASE
815CK01	CASE	01	PLASTIC STORAGE CASE WITH WHEELS
815K02	EXTENSION	02	24" EXTENSION
815K03	"	03	21" EXTENSION
815K04	"	04	10" EXTENSION
815K05	"	05	5" EXTENSION
804-11	RAM	11	1/2 TON SPREADER RAM
815K12	HEAD	12	RUBBER HEAD "SS"
815K13	BASE	13	FLAT BASE "SS"
815K14	TOE	14	SPREADER RAM TOE
815K15	TOE	15	PLUNGER TOE "SS"
815K16	HEAD	16	WEDGE HEAD "SS"
815K17	BASE	17	V-BASE "SS"
815K18	CONNECTOR	18	CONNECTOR "SS"
815K32	HANDLE	32	HANDLE WITH GRIP
815K07	SADDLE	07	SERRATED SADDLE
815-40	PUMP	40	PUMP 10 ton HYDRAULIC
815-41	RAM	41	RAM 10ton
815KRK	KIT		RESEAL KIT
814K42	HOSE	42	6' HOSE
4KR20	1/2 COUPLER		RAM ONE HALF COUPLER
4KR22	COUPLER		COMPLETE COUPLER

**\* ONLY PARTS WITH A "PART ORDER NUMBER" ARE AVAILABLE FOR SALE.**  
**DO NOT COPY OR DISTRIBUTE THIS MATERIAL WITHOUT PERMISSION OF AFF, INC.**



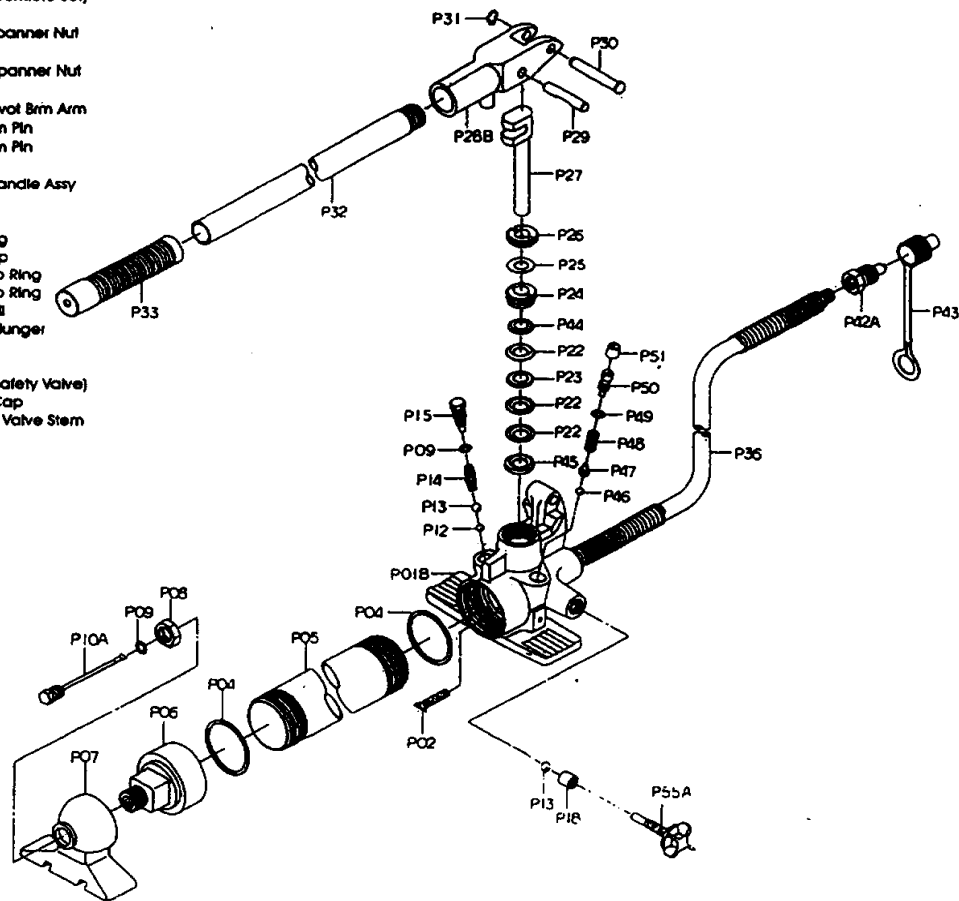
# MODEL 815/815C - 10 TON BODY & FRAME KIT

PARTS ON THIS PAGE NOT AVAILABLE SEPARATELY

## Part no. Nomenclature

- 10-P01 Pump Housing
- 10-P02 Filter
- 10-P04 Seal
- 10-P05 Pump Reservoir
- 10-P06 Reservoir End Cap
- 10-P07 Pump Foot
- 10-P08 Nut-Housing
- 10-P09 O-Ring
- 10-P10A Dip Stick (Oil Level Ck)
- 10-P12 Ball Valve
- 10-P13 Ball Valve
- 10-P14 Spring
- 10-P15 Overload Stem
- 10-P18 Spacer
- 10-P22 Seats (Complete Set)
- 10-P23 Seal
- 10-P24 Lower Spanner Nut
- 10-P25 Seal
- 10-P26 Upper Spanner Nut
- 10-P27 Plunger
- 10-P28 Pump Pivot Brm Arm
- 10-P29 Pivot Arm Pin
- 10-P30 Pivot Arm Pin
- 10-P31 Ckr Clip
- 10-P32 Pump Handle Assy
- 10-P33 Grip
- 10-P36 Hose
- 10-P42 Coupling
- 10-P43 Dust Cap
- 10-P44 Black-up Ring
- 10-P45 Black-up Ring
- 10-P46 Steel Ball
- 10-P47 Spring Plunger
- 10-P48 Spring
- 10-P49 O-Ring
- 10-P50 Screw (Safety Valve)
- 10-P51 Plastic Cap
- 10-P55A Release Valve Stem

## HYDRAULIC BODY & FRAME PUMP 10 TON CAPACITY



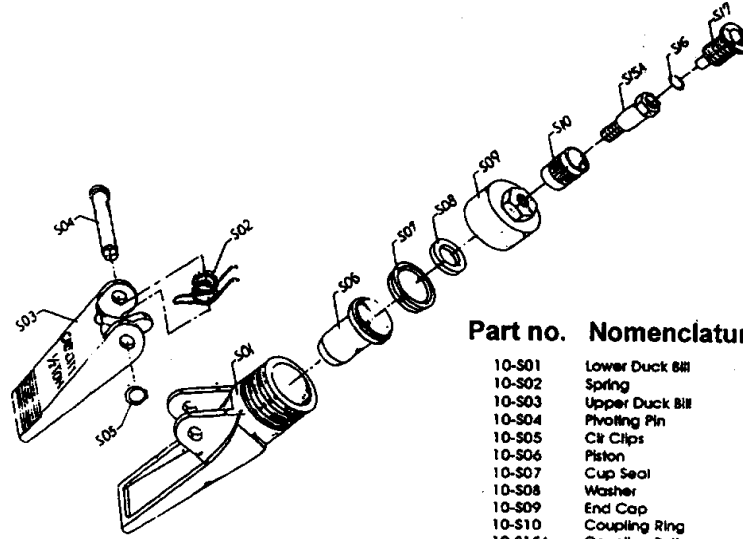
**\* ONLY PARTS WITH A "PART ORDER NUMBER" ARE AVAILABLE FOR SALE.  
DO NOT COPY OR DISTRIBUTE THIS MATERIAL WITHOUT PERMISSION OF AFF, INC.**



# MODEL 815/815C - 10 TON BODY & FRAME KIT

PARTS ON THIS PAGE NOT AVAILABLE SEPARATELY

## Hydraulic Spreader Assembly 1/2Ton Capacity



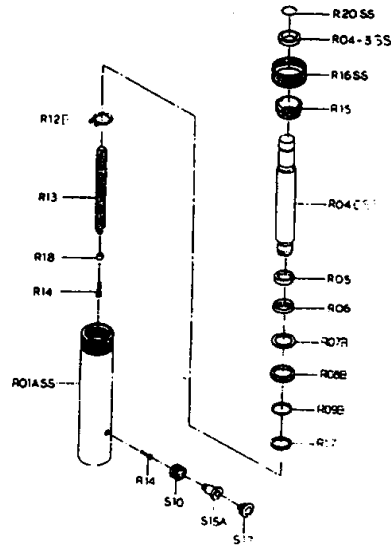
### Part no. Nomenclature

10-S01	Lower Duck Bill
10-S02	Spring
10-S03	Upper Duck Bill
10-S04	Pivoting Pin
10-S05	Clr Clips
10-S06	Piston
10-S07	Cup Seal
10-S08	Washer
10-S09	End Cap
10-S10	Coupling Ring
10-S15A	Coupling Bolt
10-S16	Bolt O-Ring
10-S17	Dust Cap

## Hydraulic Ram Assembly 10 -Ton Capacity

### Part no. Nomenclature

10-R01ASS	Cylinder
10-R04CSS	Ram
10-R04-3SS	Bearing
10-R05	Bearing
10-R06	Bushing
10-R07B	Cap Ferrule (C2600p)
10-R08B	Cap (Uetan)
10-R09B	Cap (SS400)
10-R10	Spreader
10-R11	Washer
10-R12B	Snap-Ring "C"
10-R13	Spring
10-R14	Screw
10-R15	Ring
10-R16SS	Protecting Cap
10-R17	Ram Packing ring
10-R18	Bushing
10-S20SS	Ring "c"
10-S10	Coupling Ring
10-S15A	Coupling Ring
10-S17	Dust Cap



**\* ONLY PARTS WITH A "PART ORDER NUMBER" ARE AVAILABLE FOR SALE.  
DO NOT COPY OR DISTRIBUTE THIS MATERIAL WITHOUT PERMISSION OF AFF, INC.**