



# MODEL 9012 - 12 TON CAPACITY PIPE BENDER

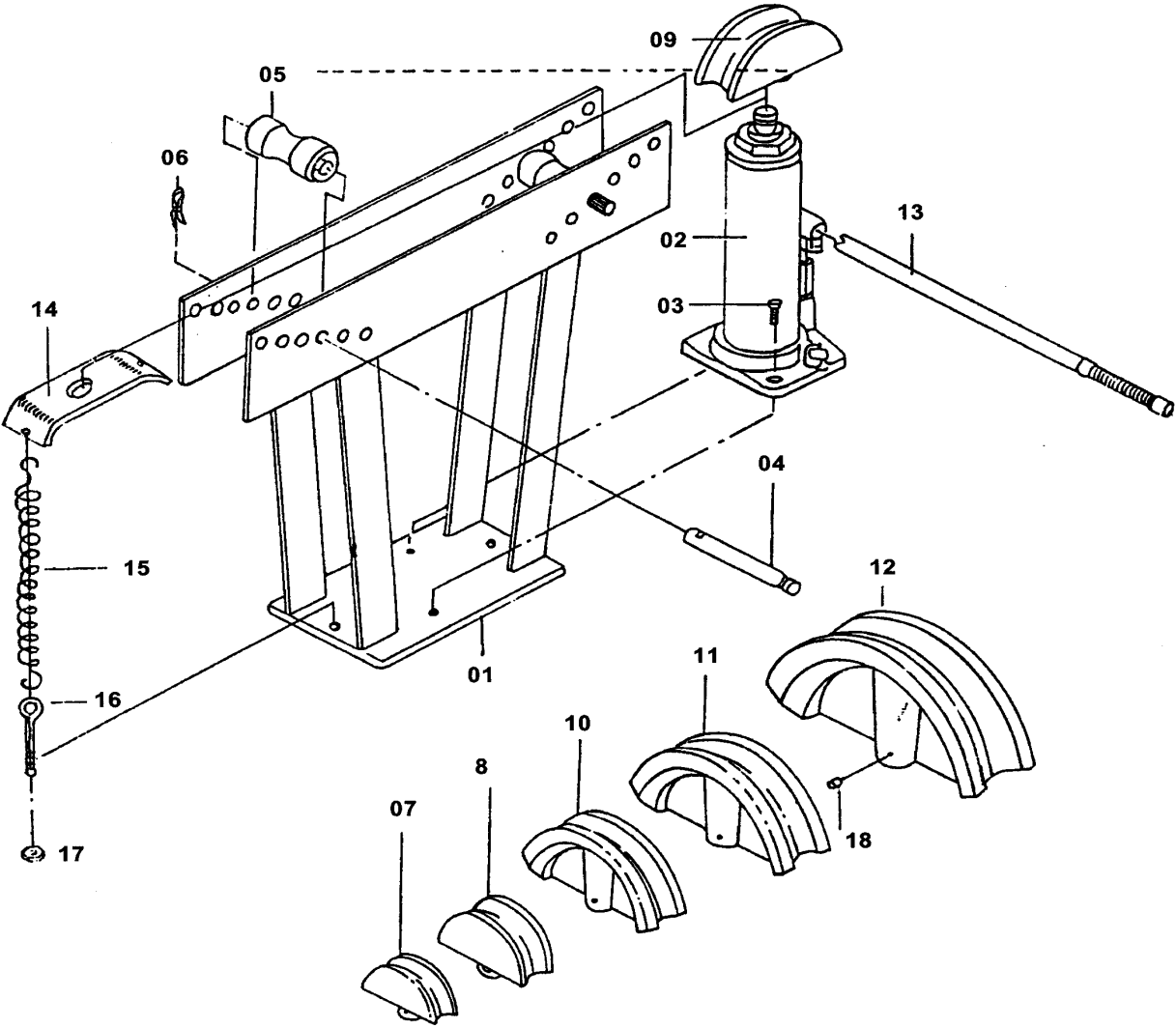
UPDATED 3/06

PART ORDER NUMBER	KIT DESCRIPTION	KIT INCLUDES	
		REF. #	DESCRIPTION
9012K02	POWER UNIT	02	12 TON BOTTLE JACK
9012K07		07	1/2" BENDING SHOE
9012K08		08	3/4" BENDING SHOE
9012K09		09	1" BENDING SHOE
9012K10		10	1 1/4" BENDING SHOE
9012K11		11	1 1/2" BENDING SHOE
9012K12		12	2" BENDING SHOE
NOT AVAILABLE		06	HITCH PIN
NOT AVAILABLE		03	HEX BOLT
NOT AVAILABLE		04	ROLLER SHAFT
NOT AVAILABLE		05	ROLLER
NOT AVAILABLE		13	HANDLE FOR JACK
NOT AVAILABLE		14	SPRING PLATE
NOT AVAILABLE		15	SPRING
NOT AVAILABLE		16	EYE BOLT
NOT AVAILABLE		17	NUT
NOT AVAILABLE		18	BOLT

**\* ONLY PARTS WITH A "PART ORDER NUMBER" ARE AVAILABLE FOR SALE.**

**DO NOT COPY OR DISTRIBUTE THIS MATERIAL WITHOUT PERMISSION OF AFF, INC.**

# MODEL 9012 - 12 TON CAPACITY PIPE BENDER



DO NOT COPY OR DISTRIBUTE THIS MATERIAL WITHOUT PERMISSION OF AFF, INC.